

FITMENT INSTRUCTIONS



PEUGEOT LANDTREK DOUBLE CAB

XTREME & XPEDITION

FITMENT KIT CONTENTS

DESCRIPTION	QUANTITY	ILLUSTRATION
• M8 x 25 Hexagonal Bolt	16	
• M8 x 30 Hexagonal Bolt	8	
• M8 Flat Washer	8	
• M8 Spring Washer	12	
• M8 Body Washer	28	
• M8 Nylock Nut	12	
• Cab Side Bracket LH	1	
• Cab Side Bracket RH	1	
• Tail Gate Bracket	2	
• Tail Gate Tension Bracket	2	
• Tail Gate Mnt Bracket LH	1	
• Tail Gate Mnt Bracket RH	1	

REQUIRED TOOLS

DESCRIPTION	ILLUSTRATION
• 13mm Spanner	
• 13mm Socket Wrench (Optional)	

INSTALLATION TIME & CARE INSTRUCTIONS

Approx. 45 Minutes (Excluding the removal of any accessories from load bin)

- ✓ Before installation, ensure that your hands and workwear are clean from oil, grime & dirt.
- ✓ Ensure that the correct tools and PPE are used whilst installing the canopy. Clean the rear cab window before fitting the canopy.
- ✓ Torque all M8 fasteners to approx. 28Nm.

FITMENT STEPS

STEP 1

- ✓ Unpack all components and hardware from packaging: ensure that everything is accounted for as indicated above.

STEP 2

- ✓ Remove any cab guards, roll bar, tonneau cover, sports bar etc. from vehicle.

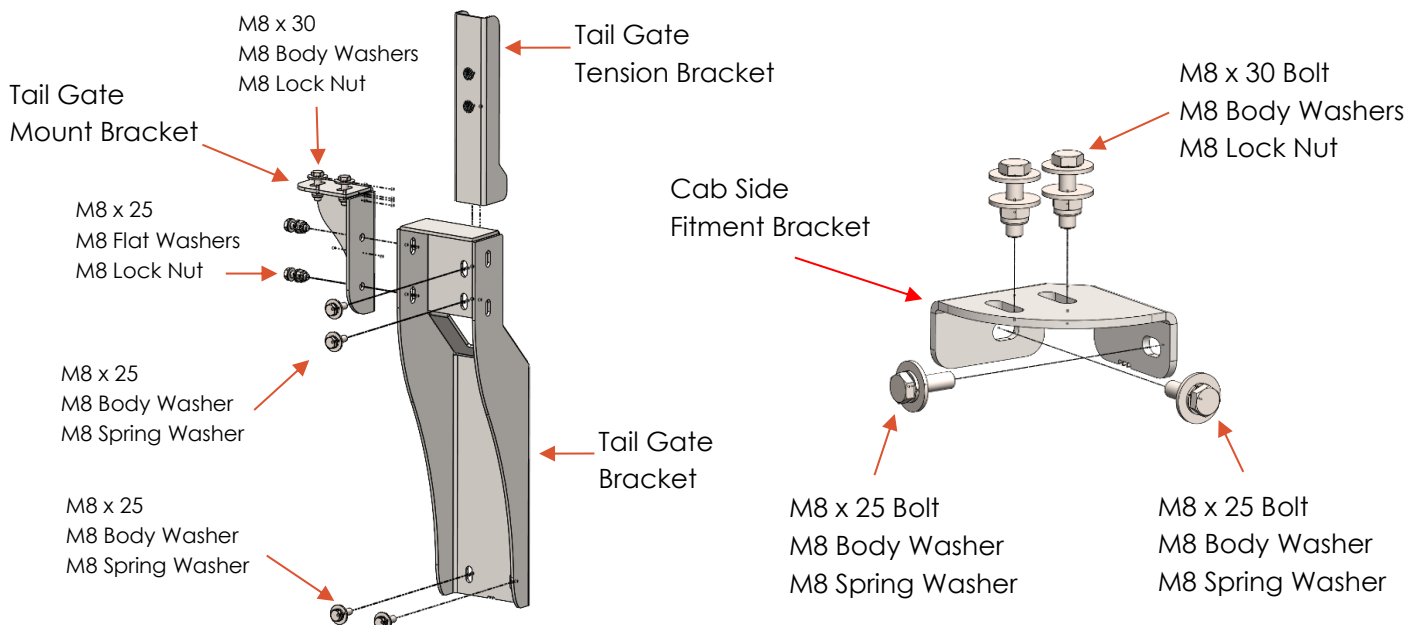
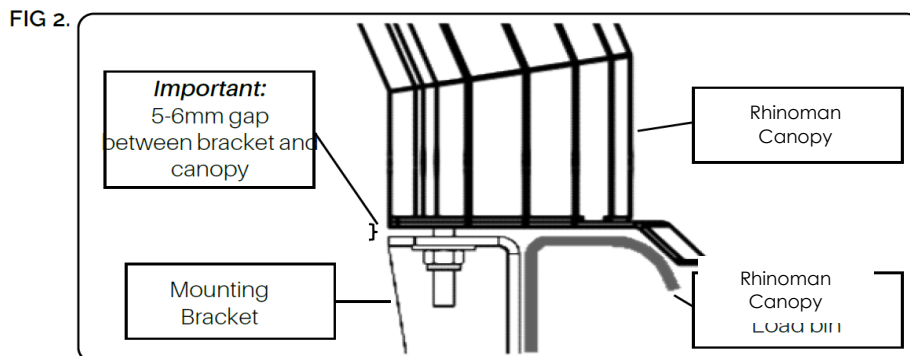
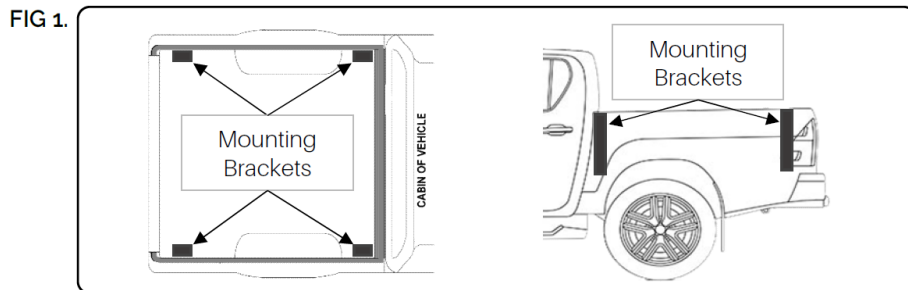
STEP 3

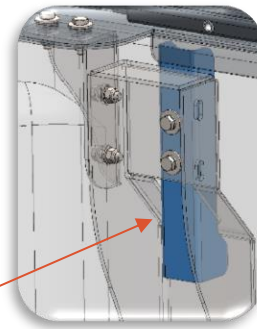
- ✓ Remove the factory fitted tie-down hooks.

- ✓ Identify the mounting positions of both the cab-and-tail gate-side brackets. (Fig 1.)
- ✓ Secure brackets with provided bolts on the OEM tie-down points.
- ✓ Ensure that the rear cab window of the vehicle is clean, before loading the canopy onto the load bin.

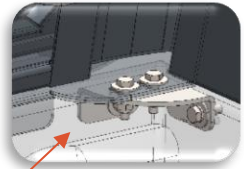
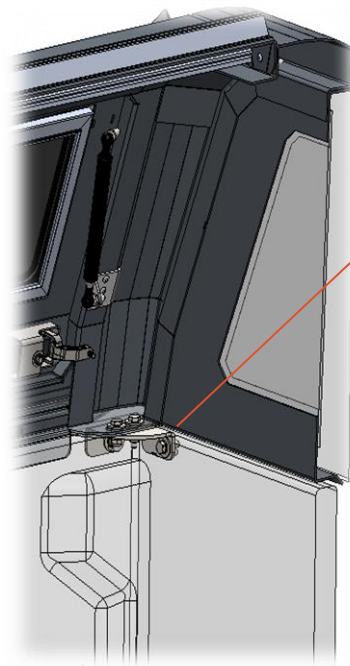
STEP 4

- ✓ Fit the canopy to the loading bin, align & space evenly.
- ✓ Line-up the canopy fastening points with the brackets' fastening points. (Fig. 1).
- ✓ When the canopy is resting on the load bin, adjust the brackets to achieve a gap of approx. 6mm between the canopy fastening surface and the bracket top surface. (Fig.2.)
- ✓ Secure the brackets to the load body by fastening the bolts slowly & securely.
- ✓ Secure the canopy to the brackets using the bolts supplied.



Tail Gate Fitment

When installing the tension bracket, ensure to push the top side of the tension bracket behind the inner edge of the load bin to tension against.

Cab Side Fitment**STEP 5**

- ✓ Trim sealing rubber on tailgate with knife or scissors.
- ✓ Check again for alignment of canopy on sides of loading bin.
- ✓ Check all bolts one final time.
- ✓ Enjoy your NEW Rhinoman all Aluminum Canopy.

WARRANTY SERVICE & CARE GUIDE

- ✓ All Rhinoman products carry a comprehensive 2-year factory warranty.
- ✓ **PLEASE NOTE:** Your canopy will only be covered under warranty if it has been fitted by an approved Rhinoman fitment center or agent.
- ✓ Please do inspect the fasteners on the fitment brackets every once in a while, to ensure that all bolts are still tight and properly secured.

SHOULD YOU HAVE ANY ENQUIRIES ABOUT THE FITMENT, FEEL FREE TO CONTACT US



010 010 0060



SALES@RHINOMAN.CO.ZA



RHINOMAN.CO.ZA